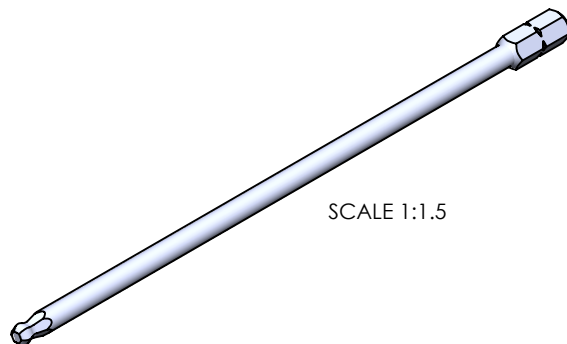


SECTION A-A
SCALE 4 : 1



SCALE 1:1.5

UNLESS OTHERWISE SPECIFIED: DIMENSIONS ARE IN INCHES				TOLERANCES: X.XX= ±0.13 X.XXX= ±0.015 X.XXXX= -0.0015		 The Global Source for Stainless Steel Tools	
DRAWN	NAME	SIGN	DATE				
APPVD	A.T.		03.04.20			TITLE: 5/32" BALL HEX X 6.00" OAL, 1/4" HEX BIT	
MATERIAL: 465 MAGNETIC S.S.				PART NO. 11478_SP6		REV: A	
THIS DRAWING IS THE PROPERTY OF STERITOOL, INC. ANY REPRODUCTIONS OR MODIFICATIONS OF THIS DRAWING OR ITS CONTENTS WITHOUT THE CONSENT OF STERITOOL, INC. IS PROHIBITED.				SCALE 1:1		SHEET 1 OF 1	